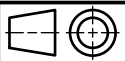


1

2

3

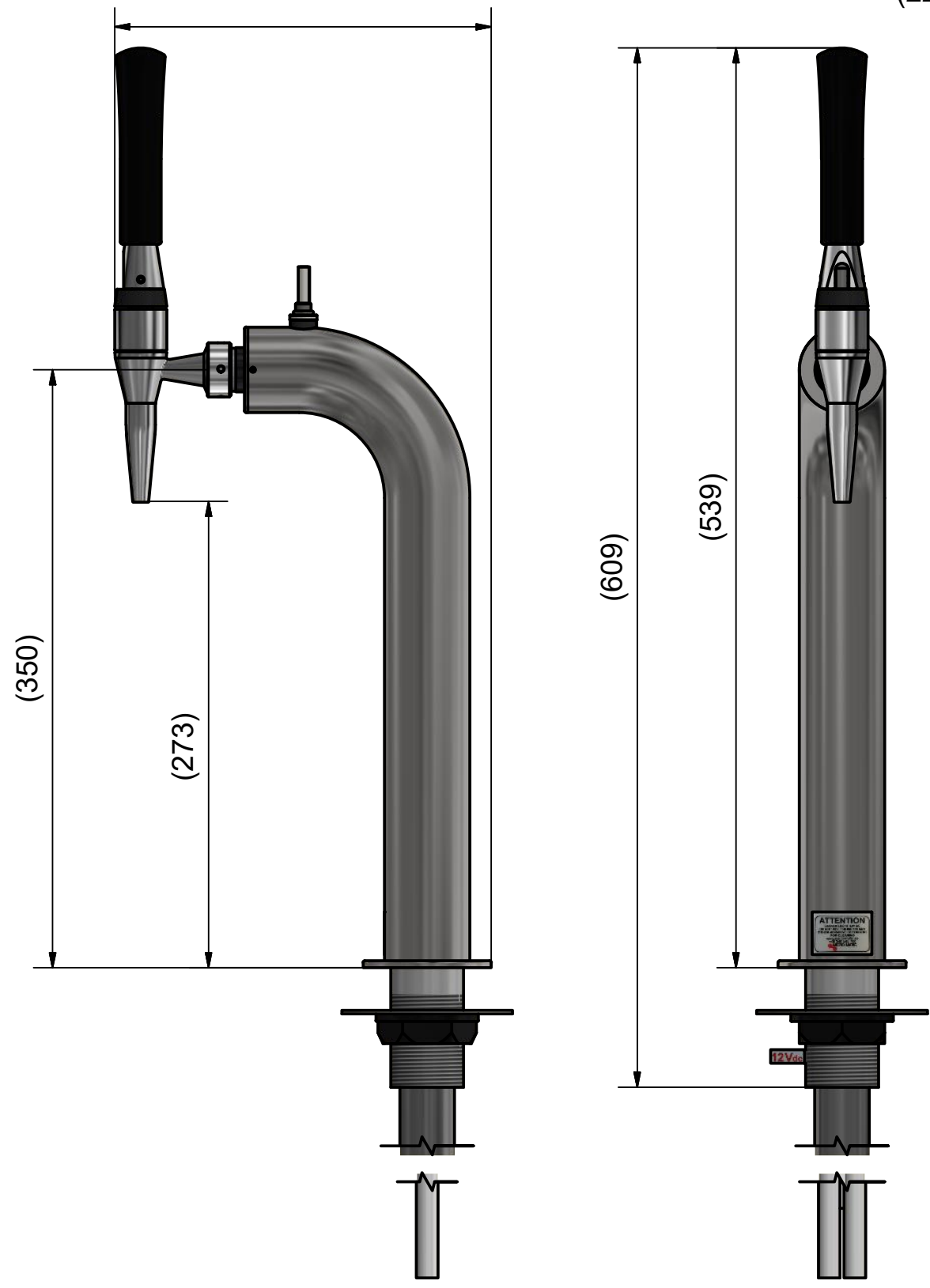
4




(220)

A
B
C
D
E
F

A
B
C
D
E
F



| |
|--|
| |
| |
| |
| |
| |

| | |
|---|----------------------------|
| | |
| DESCRIPTION Berlin1 - Brushed SS - T-tap US shank - Q/C | |
|  | DRW.NO. - REV. 12-115C2 |
| | |

THIS DRAWING IS THE PROPERTY OF MICRO MATIC A/S AND MUST NOT BE USED, DISCLOSED OR REPRODUCED WITHOUT PRIOR WRITTEN AUTHORITY.

1

2

3

4